

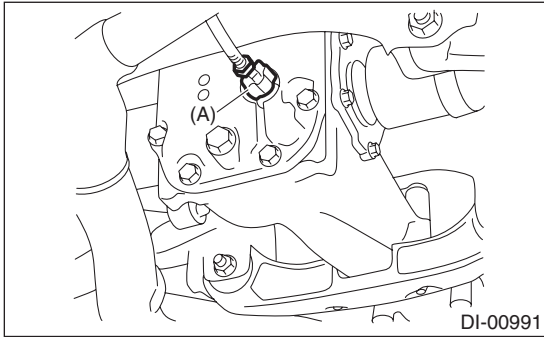
Differential Gear Oil

DIFFERENTIALS

2. Differential Gear Oil

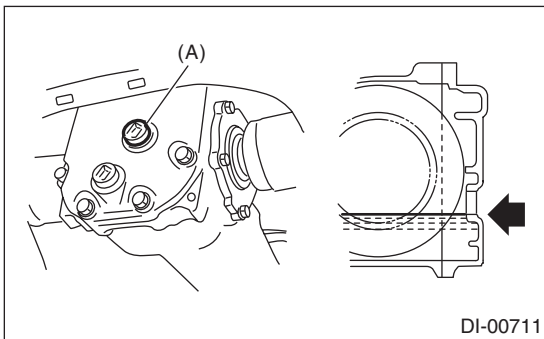
A: INSPECTION

- 1) Disconnect the ground cable from battery.
- 2) Lift up the vehicle.
- 3) Disconnect the oil temperature sensor connector. (T-type (H5))



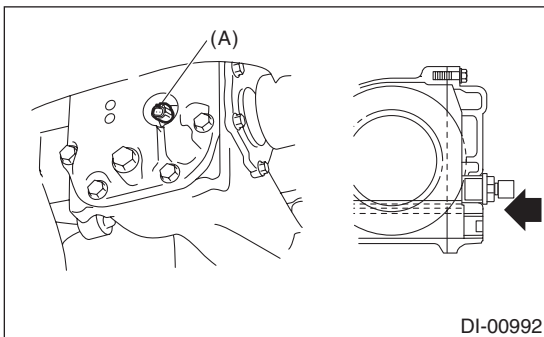
(A) Oil temperature sensor connector

- 4) Remove the filler plug or the oil temperature sensor, and then check the gear oil. Replace the gear oil if it is contaminated, deteriorated or cloudy. <Ref. to DI-16, REPLACEMENT, Differential Gear Oil.>
 - 5) Check that the gear oil level is within -5 mm (-0.2 in) from the bottom of the filler plug hole. If the level is low, make sure that there is no oil leakage and refill up to the bottom of filler plug hole.
- T-type (B1, B2)



(A) Filler plug

- T-type (H5)



(A) Oil temperature sensor

- 6) Install the filler plug or the oil temperature sensor.

NOTE:

- Degrease the thread portion of B1 and B2 sufficiently and apply liquid gasket to the filler plug.

Liquid gasket:

THREE BOND 1105 (Part No. 004403010) or equivalent

- Use a new gasket for H5.

Tightening torque:

B1, B2

49 N·m (5.0 kgf·m, 36.1 ft·lb)

H5

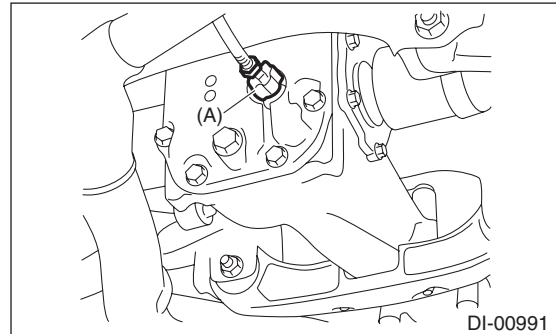
60 N·m (6.1 kgf·m, 44.3 ft·lb)

B: REPLACEMENT

CAUTION:

- Gear oil is extremely hot just after driving. Be wary of receiving burns.
- Be careful not to spill the differential gear oil on exhaust pipe. If gear oil is spilled, wipe it off completely.

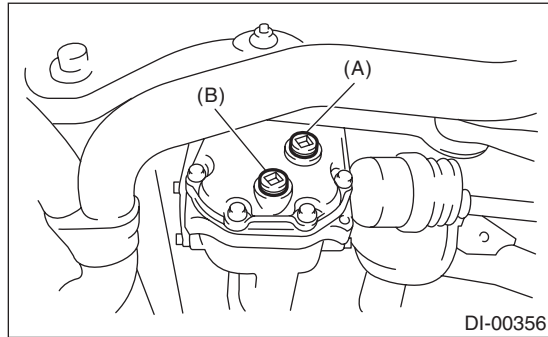
- 1) Disconnect the ground cable from battery.
- 2) Lift up the vehicle.
- 3) Disconnect the oil temperature sensor connector. (T-type (H5))



(A) Oil temperature sensor connector

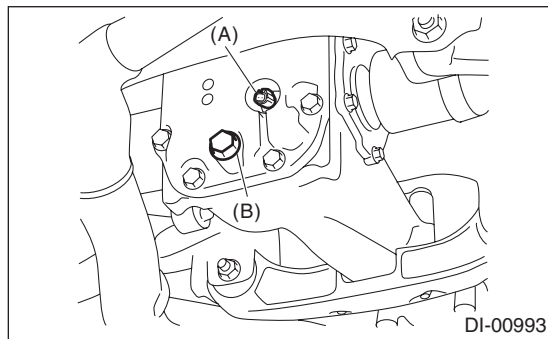
4) Remove the drain plug and filler plug or the oil temperature sensor, and drain the gear oil.

- T-type (B1, B2)



- (A) Filler plug
- (B) Drain plug

- T-type (H5)



- (A) Oil temperature sensor
- (B) Drain plug

5) Install the drain plug.

NOTE:

- Degrease the thread portion of B1 and B2 sufficiently and apply liquid gasket to the filler plug.

Liquid gasket:

THREE BOND 1105 (Part No. 004403010) or equivalent

- Use a new gasket for H5.

Tightening torque:

B1, B2

49 N·m (5.0 kgf·m, 36.1 ft·lb)

H5

60 N·m (6.1 kgf·m, 44.3 ft·lb)

6) Fill the differential carrier with gear oil to the bottom of filler plug hole or the oil temperature sensor hole.

NOTE:

Carefully refill gear oil while watching the level. Excessive or insufficient oil must be avoided.

Recommended gear oil:

<Ref. to DI-2, SPECIFICATION, General Description.>

Oil capacity:

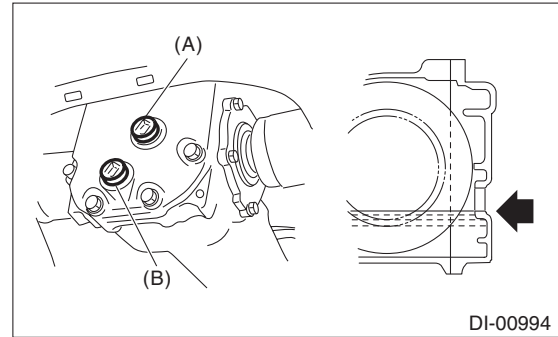
B1, B2

0.8 L (0.8 US qt, 0.7 Imp qt)

H5

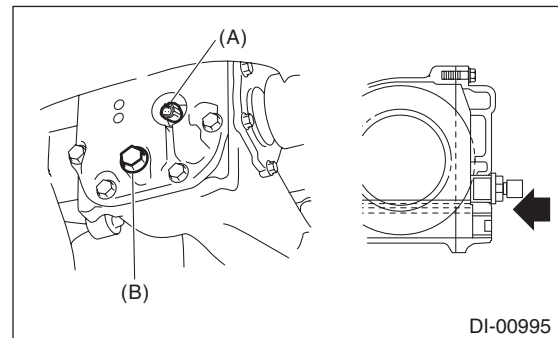
1.0 L (1.1 US qt, 0.9 Imp qt)

- T-type (B1, B2)



- (A) Filler plug
- (B) Drain plug

- T-type (H5)



- (A) Oil temperature sensor
- (B) Drain plug

7) Install the filler plug or the oil temperature sensor.

NOTE:

- Degrease the thread portion of B1 and B2 sufficiently and apply liquid gasket to the filler plug.

Liquid gasket:

THREE BOND 1105 (Part No. 004403010) or equivalent

- Use a new gasket for H5.

Tightening torque:

B1, B2

49 N·m (5.0 kgf·m, 36.1 ft·lb)

H5

60 N·m (6.1 kgf·m, 44.3 ft·lb)